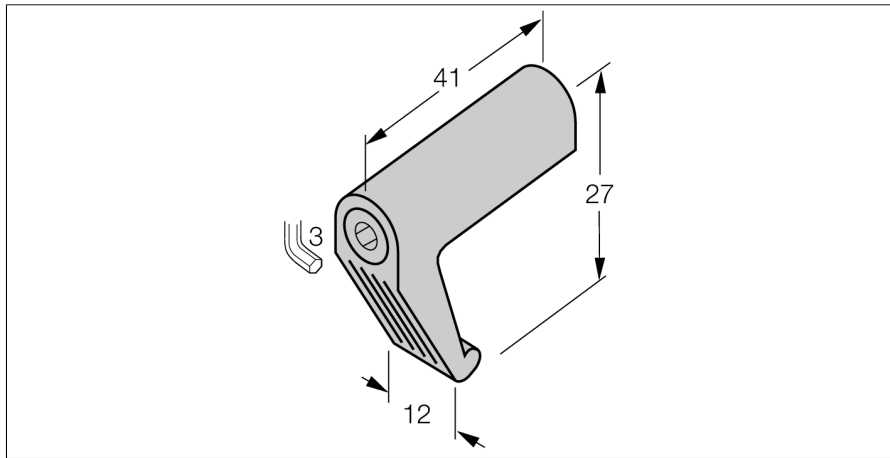
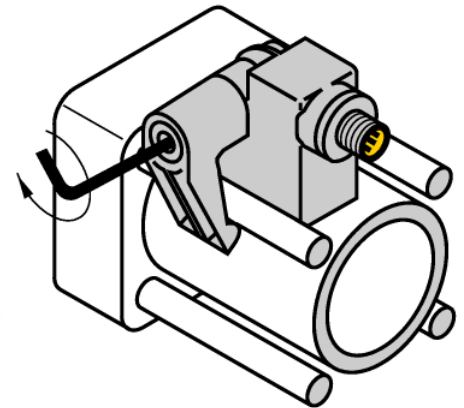


**Accessories
for tie-rod cylinders
KLI3**



Mounting accessories for magnetic-inductive sensors for mounting on tie-rod cylinders with diameters of 63...160 mm, die-cast zinc



Type designation	KLI3
Ident-No.	69712
Design	Accessories for rectangular types, IKE, IKT, IKM
Dimensions	41 x 27 x 12 mm
Housing material	Metal, GD-Zn
Fixing clamp for correspondent cylinder diameter	63 ... 160 mm
Clamping width min.	6 mm
Max.clamp width	16 mm

